



HOME ON THE ROAD.

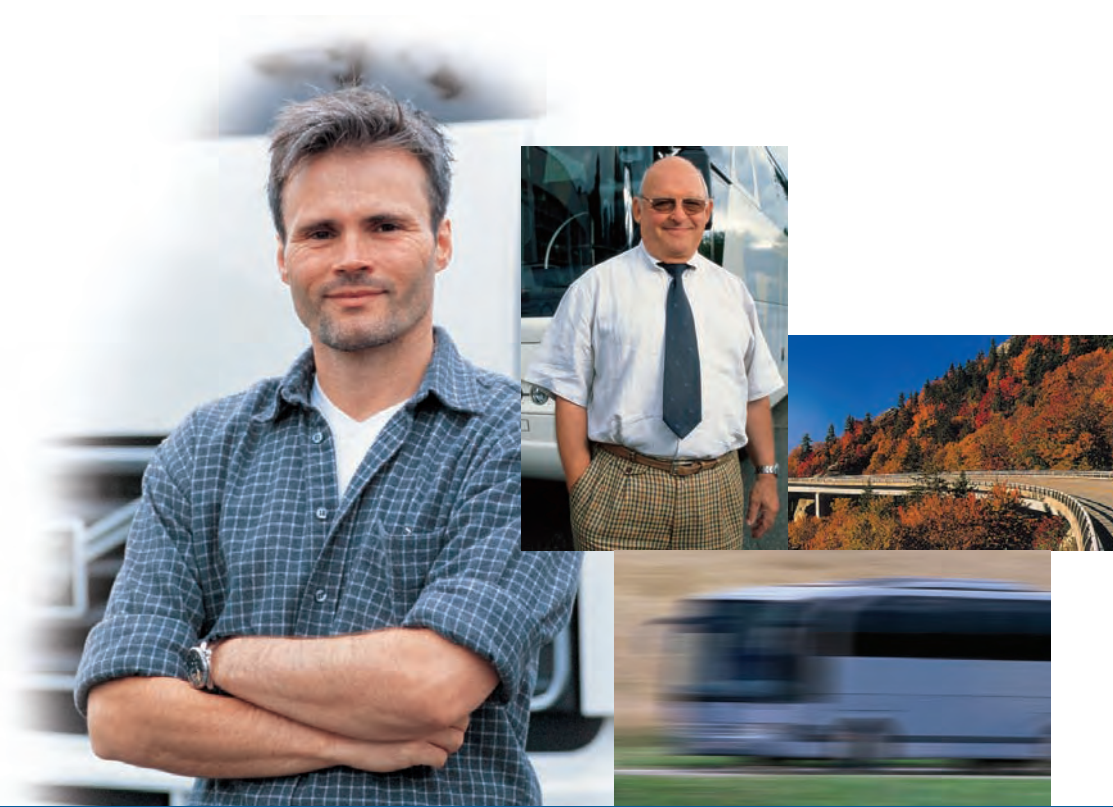
WHATEVER THE DISTANCE.

LINEA[®] & TOUREA[®]

High-Comfort Bus Driver Seats.



GRAMMER



SITTING PRETTY WITH A HEALTHY POSTURE.



Sitting Comfort with Proofern Ergonomics.

Optimum seat ergonomics decisively improve working conditions and help preserve users' health. An example of such ergonomically mature products are the Linea and Tourea High Performance, which have now been certified by an independent institute, the Landesgewerbeanstalt (LGA) in Nuremberg, Germany in cooperation with the Ergonomie Institut München (EIM). The seats were examined to determine whether their dimensions and setting possibilities can accommodate the anthropometric attributes of different users (tall, short, slender, corpulent, etc.). Its ease of use and vibration comfort were also thoroughly tested. The Linea and Tourea High Performance were certified as "ergonomically tested" as a recommendation for their ergonomics.



Fully Adjustable.

A Linea or Tourea seat gives bus drivers the active support they need for passive safety in the workplace: with just a few adjustments, it turns into a fully customized seat that precisely meets every driver's individual requirements. The innovative ergonomic basic shape and easy-to-use controls promote a healthy posture at all times. For municipal and service buses, there's also an optional turnable facility to make it easier for drivers to operate the till and leave the seat.

Another important requirement for feeling good in the driver's seat is a pleasant temperature. But with conventional air-conditioning, the driver perspires where his or her body contacts the seat. That is why the Linea and Tourea are equipped with active climate control. This system removes body moisture so the user will never again have to sit drenched in sweat. And on cold days, the integrated seat heating keeps you snug.

Relaxed Driver, Relaxing Trip.

Each and every time they sit behind the wheel, bus drivers bear a great deal of responsibility. They therefore need to be totally in control of the situation at all times, and able to deal effectively with all kinds of traffic situations. This calls for a driver seat that keeps the back as free as possible. With its attractively designed, unobtrusive 3-point safety belt system and integrated headrest as standard features, the Tourea provides maximum safety without restricting freedom of movement. After all, only a relaxed driver can give passengers a smooth, relaxed journey.



Design for Use

Sophisticated and easy to use, in line with GRAMMER's operating philosophy.

- The most frequently used controls are within easy reach.
- All controls are located where you expect to find them.
- The controls are shaped so you recognize them by touch.
- You intuitively know which direction to move them in.

Tapered Back Contour

More space for your elbows means greater freedom of movement for steering.

Active Climate System

(incl. Heating)

Adjustable Backrest

Can be accurately fine-tuned for a relaxed posture.

Pneumatic Lumbar Support and Side Support Adjustment

Noticeably relieves the pressure on your spine by optimally supporting your back on bends and corners. A vital prerequisite for proper posture, together with the pneumatic lumbar support.

Pneumatic Suspension

Vibrations and jolts are reliably absorbed by a pneumatic suspension system with travel of 80 mm. So no one has to sacrifice extra comfort and protection for the spine.

High Performance

An innovative friction-optimized suspension system based on cutting-edge shock absorption and control technology. It features greater strength and stiffness for a longer service life and outstanding comfort.



Integrated Headrest

Can be easily adjusted to provide ideal support for every driver height.

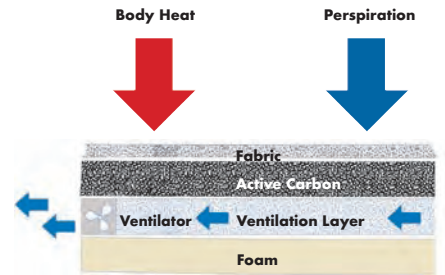
3-Point Safety Belt System (Tourea)

Integrated into the seat back and pleasant and comfortable to use. Provides optimum safety without restricting freedom of movement.

NEW

Active Seat Climate System

The most important requirement for feeling good in the driver's seat is a pleasant temperature. But even with air-conditioning in the vehicle, the driver sweats where his body contacts the seat. That is why the driver seats Linea and Tourea can be equipped with active seat climate control, which removes body moisture. This way the driver will not sit at the wheel drenched in sweat. On cold days, the seat heating keeps you snug.



LINEA & TOUREA

Variable Seat Depth

Provides ergonomically correct thigh support.

Tilt Adjustment

Adjustable between - 6° and 10°.

Turntable

(optional) The large pivoting range of 50° to the right and 90° to the left provides maximum freedom of movement and makes it easier to operate the till.

or

Quick Down

Pneumatic quick down feature facilitates getting in and out.

200 mm Fore/Aft Adjustment

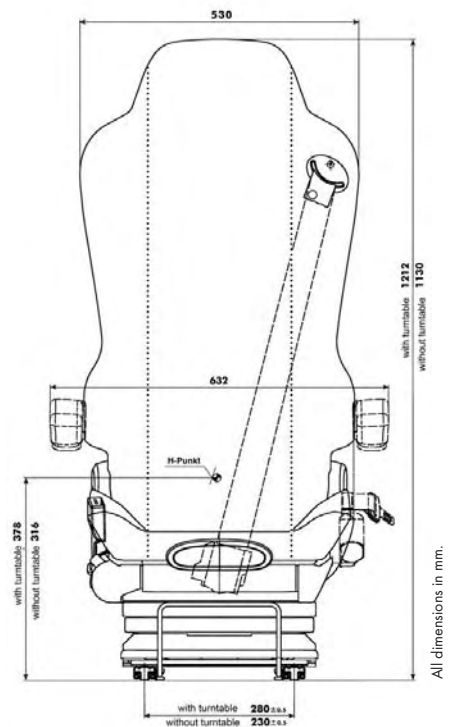
Lets you customize the distance to the steering wheel and pedals.

Adjustable Shock Absorber

On the superhighway or poor country roads, the adjustable shock absorber consistently delivers optimum suspension comfort.

Height Adjustment by 100 mm

A new mechanism with middle and 8 lock-in positions gives you palpable feedback when setting the seat's position.



Front view

LINEA® and TOUREA®
dimensions are identical.





TOUREA® with Active Climate System

TOUREA®

LINEA®

All models shown may deviate from the standard configuration.

LOOKING OUT FOR SAFETY.

FEATURES	LINEA®			TOUREA®			
	HIGH PERFORMANCE			HIGH PERFORMANCE			
Art. No. cover fabric	1141340	1179085	1141342	1141291	1179084	1141341	1179080
Active climate system		●			●		●
Right-hand controls	●	●	●	●	●	●	
Left-hand controls							●
Adjustable shock absorber	●	●	●	●	●	●	●
3-point safety belt system				●	●	●	●
Suspension travel 80 mm	●	●	●	●	●	●	●
Height adjustment 100 mm	●	●	●	●	●	●	●
Integrated headrest	●	●	●	●	●	●	●
Fore/aft adjustment 200 mm	●	●	●	●	●	●	●
Pneumatic lumbar support	●	●	●	●	●	●	●
Adjustable backrest	●	●	●	●	●	●	●
Pneumatic side support adjustment	●	●	●	●	●	●	●
Adjustable seat cushion depth	●	●	●	●	●	●	●
Tilt adjustment	●	●	●	●	●	●	●
Quick down	●	●		●	●		
Turntable 50° right/ 90° left			●			●	●
OPTIONAL FEATURES							
Storage net	○	○	○	○	○	○	○
High-comfort armrests, foldable	○	○	○	○	○	○	○
Lap belt	○	○	○				
Integrated cable harness ^{*(1)}	●	●	●	●	●	●	●
Seat heating 2 steps	○	●	○	○	●	○	●
Mount for microphone and -cable	○	○	○	○	○	○	○
Mount NFAP* for swiveling seat (height 82 mm)		1050968			1050968		
Mount NFAP* for non-swiveling seat (height 144 mm)		1049682			1049682		
Mount AFAP** for swiveling seat (height 110 mm)		1050969			1050969		
Mount AFAP** for non-swiveling seat (height 172 mm)		1078639			1078639		

● Standard feature ○ Option, available at extra charge

*New driver workplace **Old driver workplace ^{*(1)} Ready for retrofitting of optional components

Important note:

These driver seats may only be used in class M3 vehicles (more than 8 occupants and more than 5 metric tons)!

The model Tourea is only qualified for vehicles which were original equipped with a driver seat with integrated 3-Point Safety Belt System or specified therefor.

Seats may only be replaced by authorized specialists in compliance with the relevant regulations.

Subject to technical and dimensional changes.

Seating systems that keep you fit:
GRAMMER offers state-of-the-art
products for all mobile workplaces -
from buses, trucks, vans and trains
all the way to tractors, construction -
machines and forklift trucks.
Ergonomically designed, they set
new standards of sitting comfort
and operating convenience.
Just ask us - we'll happy to
advise you.

